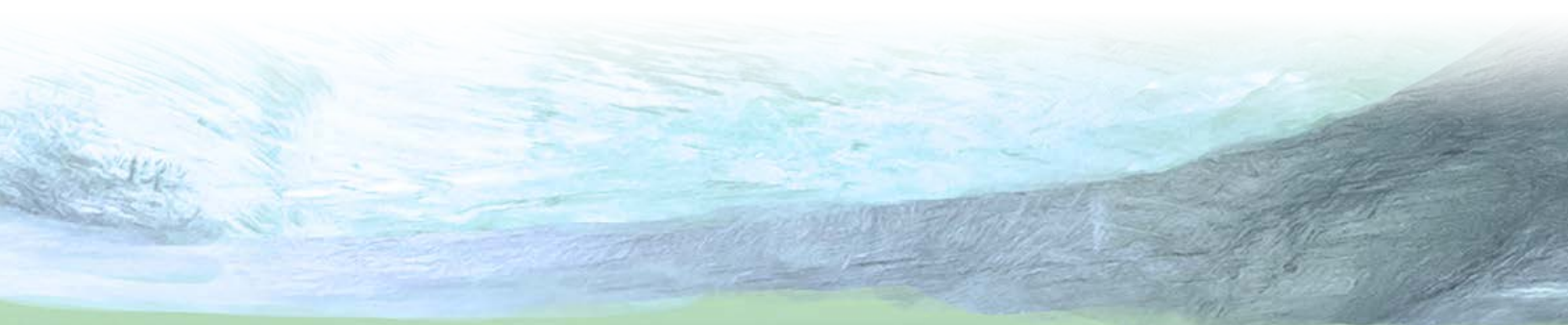


Senior Living

Artwork for Healthcare & Senior Living Environments



STUDIO  HEALTHCARE





Introduction

STUDIO E/L is excited to present our newest sourcebook of Artwork for Senior Living residences. Here, you will find our latest releases, and we encourage you to check our website and engage our well-seasoned art consultants to help develop a custom art package to suit your specific Senior Living project.

For Senior Living residents, artwork can stimulate memories and serve as a connection to the world around them. When selecting artwork for a Senior Living facility, be sure to include lots of variety – images and framing – as residents enjoy a wide array of different genres and colors.

Artwork placed in Memory Care residences can inspire the mind and stimulate the senses, with the power to evoke memories. In Memory Care settings, artwork should be bright with high-contrast colors, and subjects should be realistic and literal.

Our team of art consultants is prepared to consult with you to create your own inspired art package. We partner with you through every step of the process, including budgeting, selecting artwork, frame design, delivery, and installation.

We look forward to helping you create an uplifting and healthy environment through the benefits of visual artistry.

- STUDIO E/L Healthcare Team

Table of Contents

Healthcare Imagery

Landscapes	4
Floral / Still Life	24
Photography	40
Variety / Figurative.....	52
Abstract.....	68
Zen Dimensionals / Panelscapes.....	76

Frame Design Options

Gallery Wrapped Canvas.....	83
Edge Frame Canvas.....	84
Float Frame Canvas.....	85
Framed Canvas	87
Framed Print on Fine Art Paper	88
Sampling of Moulding Options.....	89

See more Senior Living Art at StudioEL.com.

Front Cover

Artist: Joan Élan Davis
Photo Illustration of Framed Canvas w/ 2" Walnut Frame

Inside Cover

Artist: Elise Morris
Photo Illustration of Silver/Bronze Float Frame Canvas w/ Scoop

Curated by

STUDIO 
HEALTHCARE

Landscapes



Artist: Michael Tienhaara

Photo Illustration of Framed Canvas w/ 2" Warm Silver Frame

These transitional landscapes by Michael Tienhaara complement this contemporary Living Room. We recommend works on canvas to avoid the glare or reflection from works on paper framed under acrylic or glass, which can be challenging for "senior eyes."

Connect • Care • Flourish



TR45618



TR45619



TR43567



TR43568



TR44419



TR44420



TR46910



TR46911



TR46914



TR46915



TR46916



TR46919



TR46942



TR46943



TR46940



TR46941



TR46920



TR46922



TR45736



TR45733



TR45734



TR45737



TR45740



TR45742



TR45730



TR45729



TR45727



TR45732



TR45731



TR45989



TR45990



TR45993



TR45992



TR45984



TR45985



TR45991



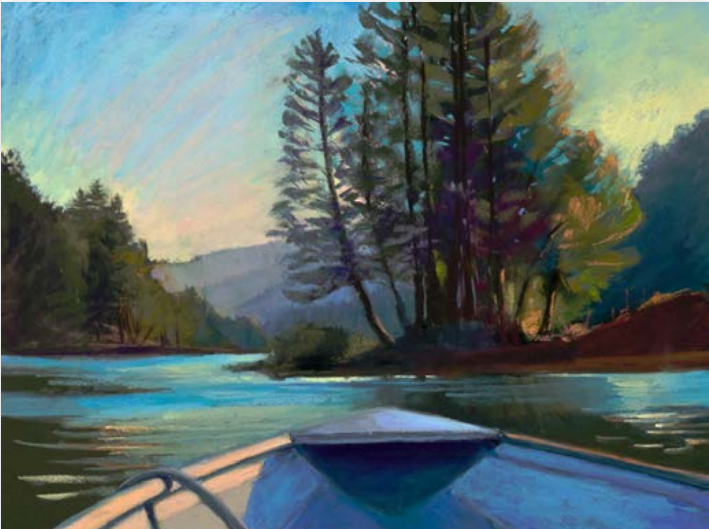
TR45988



TR46136



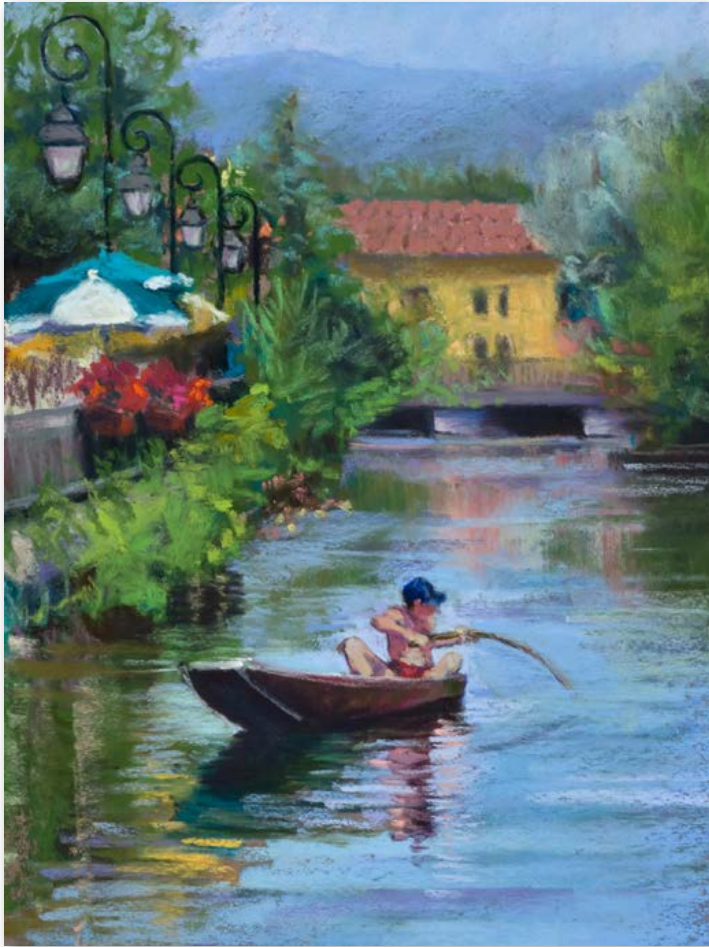
TR46137



TR46139



TR46140



TR46134



TR46133



TR46132



TR46129



TR46130



TR44032



TR44034



TR44025



TR44026



TR44021



TR44023



TR44015



TR44016



TR46557



TR46558



TR46559



TR46560



TR46567



TR46568



TR46561



TR46562



TR46563



TR46564



TR46565



TR46569



TR45688



TR45689



TR45690



TR45691



TR45693



TR45692



TR45687



TR45685



TR45686



TR46477



TR46478



TR46493



TR46494



TR46226



TR46228



TR46231



TR46232



TR46233



TR46235



TR46418



TR46417



TR46425



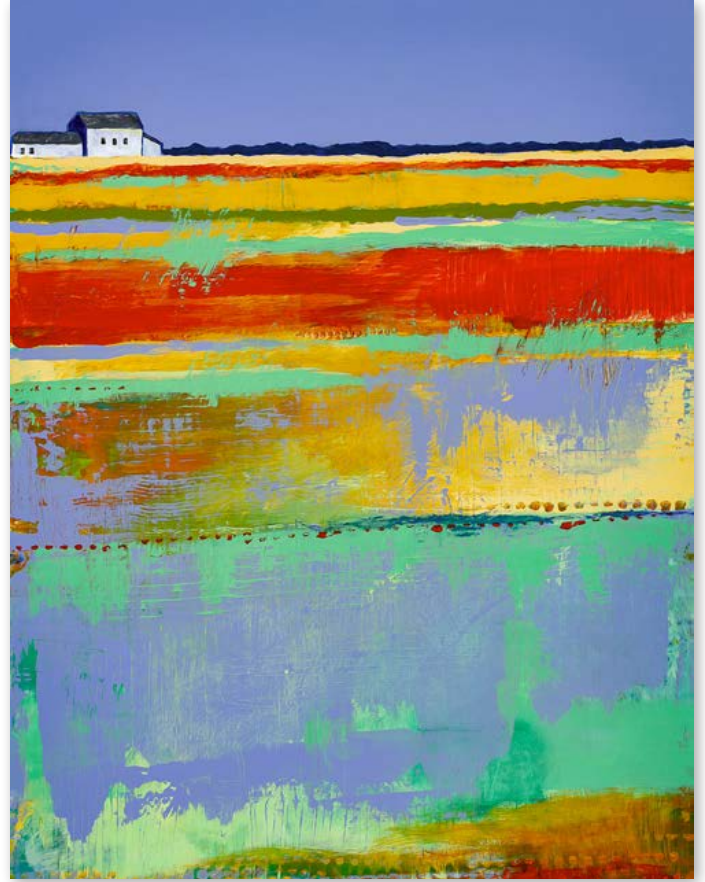
TR46419



TR46426



TR46416



TR46420



TR46427



TR46428

Floral / Still Life



Artist: Jill Krasner

Photo Illustration of Stretched Canvas with Antique Gold w/ Espresso Float Frame

A series of related artwork placed down a corridor can evoke memories from residents' long and full lives. This corridor is brightened and enlivened by the placement of Jill Krasner's playful, transitional florals, elegantly presented in gold-faced float frames.

Connect • Care • Flourish



TR46470



TR46472



TR46465



TR46466



TR46479



TR46480



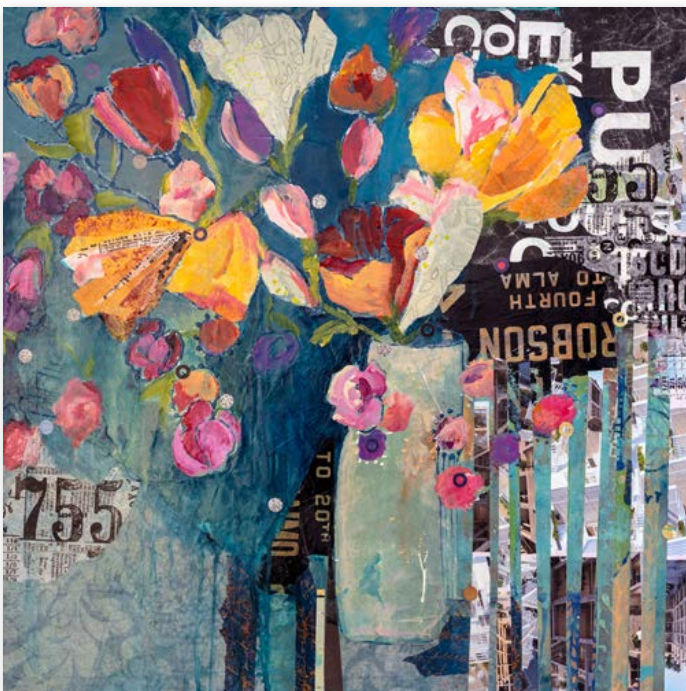
TR46501



TR46469



TR46499



TR46498



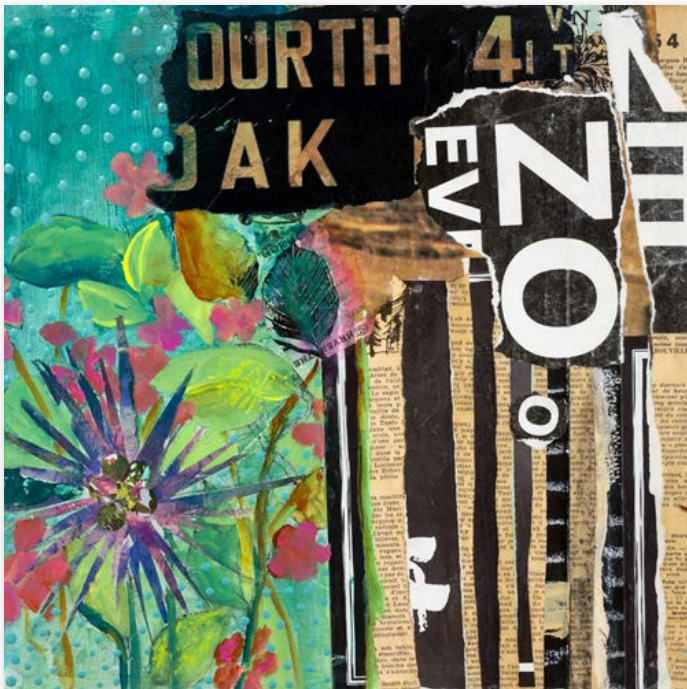
TR46497



TR46500



TR46502



TR46503



TR46504



TR45683



TR45684



TR44352



TR45700



TR44363



TR44342



TR44343



TR44358



TR44359



TR46029



TR46030



TR46031



TR46032



TR46034



TR46039



TR46035



TR46037



TR46038



TR47197



TR47198



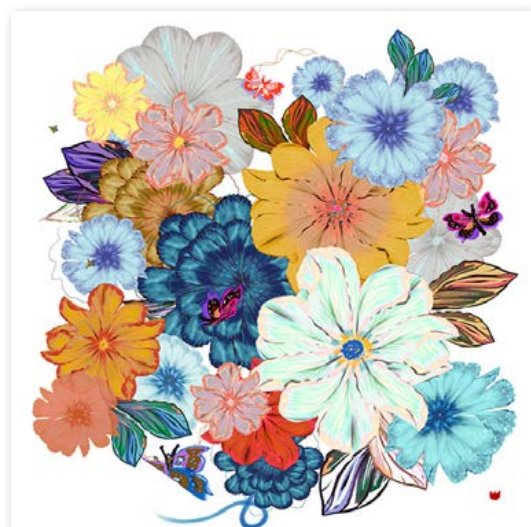
TR47206



TR47209



TR47208



TR47207



TR47204



TR47205



TR47189



TR47190



TR47187



TR47188



TR47126



TR47132



TR47134



TR47135



TR47150



TR47151



TR47156



TR47155



TR47152



TR47154



TR47153



TR44971



TR44970



TR44968



TR44969



TR44973



TR44972



TR33522



TR33519



TR33520



TR45218



TR45241



TR45222



TR45264



TR45248



TR45266



TR45234



TR45232



TR45226



TR45231



TR45238



TR45239

Photography



Artist: Dianne Poinski

Photo Illustration of Framed Canvas w/ 2" Walnut Frame

Corridor artwork installed on opposite walls in a "zigzag" pattern is highly effective in creating a less institutional "bowling alley" effect in long hallways. This layout allows you to skip walls thereby stretching your art budget.

Connect • Care • Flourish



TR45826



TR45827



TR45828



TR45829



TR45854



TR45857



TR45806



TR45807



TR45810



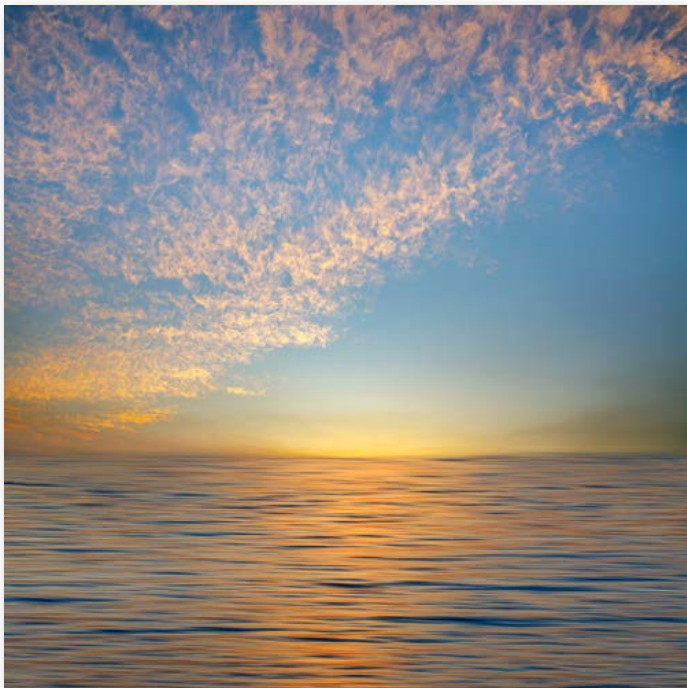
TR45811



TR45875



TR45876



TR45878



TR45880



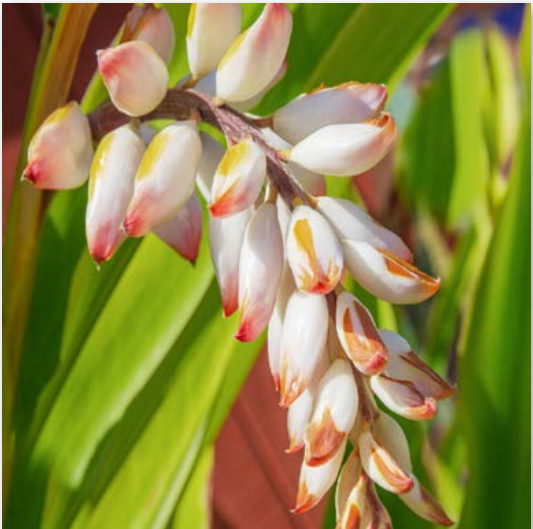
TR46614



TR46619



TR46624



TR46626



TR46632



TR46634



TR46595



TR46596



TR46598



TR46599



TR46655



TR46656



TR45391



TR45390



TR45389



TR42125



TR42124



TR42123



TR45384



TR45382



TR45383



TR46991



TR46992



TR46996



TR47001



TR47002



TR47022



TR47017



TR47020



TR47009



TR47013



TR43298



TR47018

1X Collection



TR46729



TR46730



TR46731



TR46727



TR46725



TR46732



TR44621



TR44622



TR44626



TR44627



TR44629



TR44630

Variety / Figurative



Artist: Gale S. McKee

Photo Illustration of Silver/White Float Frame Canvas w/ Scoop (left)

Residents walk up and down corridors an average of 7 times a day, thus corridor art is a very important part of *engagement* for residents in Senior Living facilities. Use representational imagery as an opportunity to set up visual stories in series and engage residents in life-time memories.

Connect • Care • Flourish



TR46409



TR46405



TR46406



TR46408



TR46404



TR46407



TR42866



TR42873



TR42867



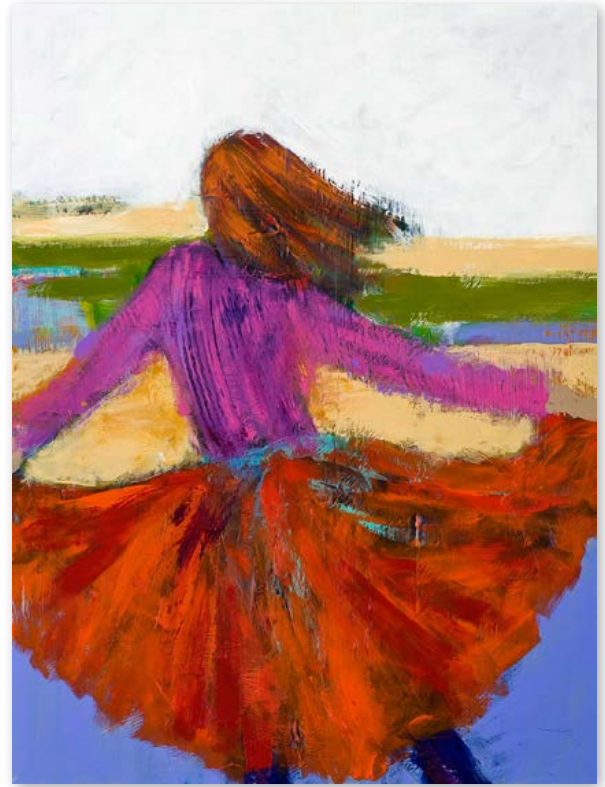
TR42870



TR42874



TR46395



TR46393



TR46392



TR46394



TR44165



TR44166



TR44167



TR45277



TR45279



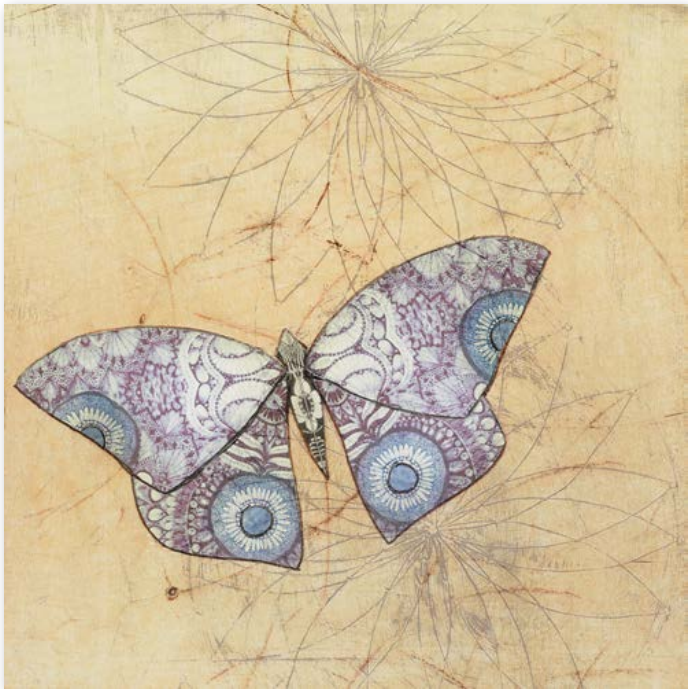
TR45280



TR44156



TR44157



TR44159



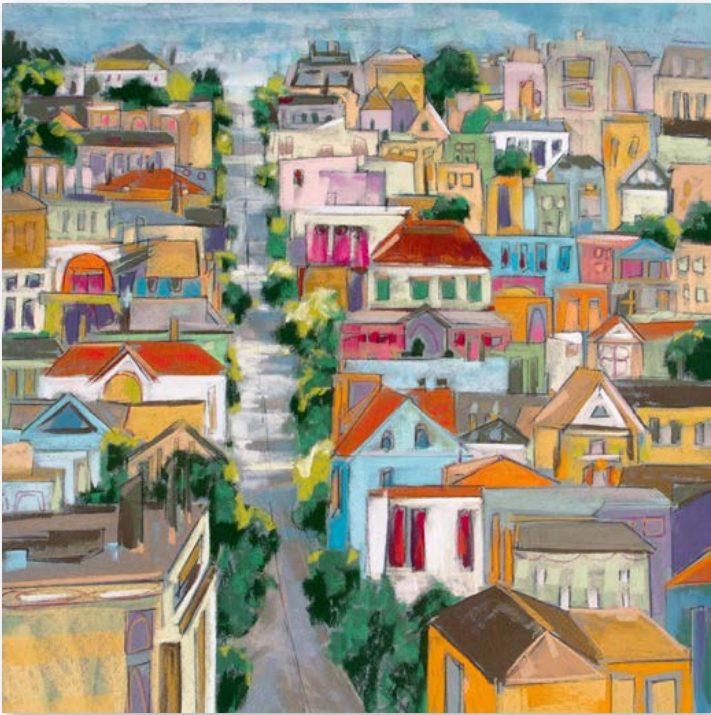
TR44160



TR46907



TR46909



TR46905



TR46906



TR46892



TR46895



TR46902



TR46903



TR46217



TR46218



TR46219



TR46216



TR46213



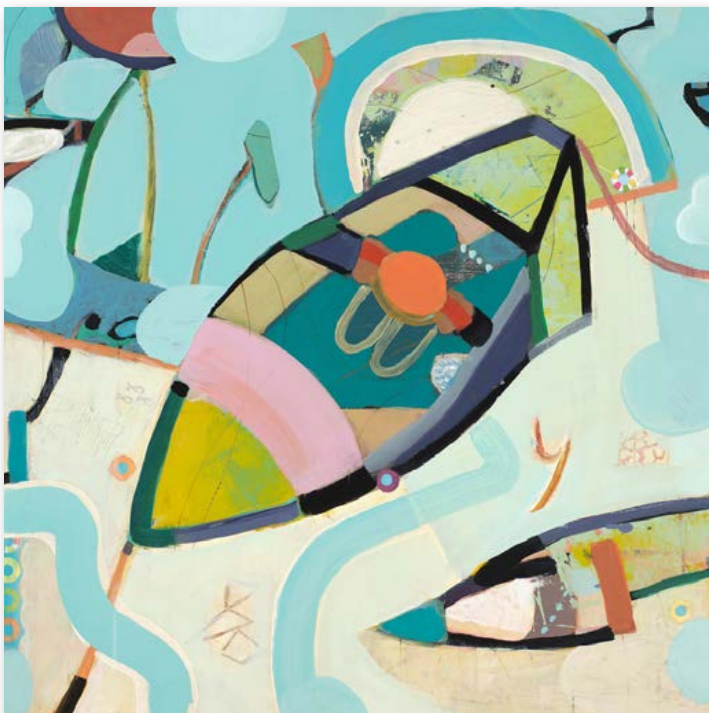
TR46214



TR46222



TR46223



TR46224



TR46225



TR44360



TR45703



TR45704



TR45706



TR44354



TR44365



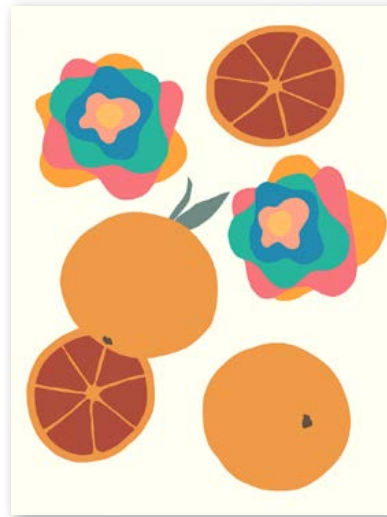
TR45697



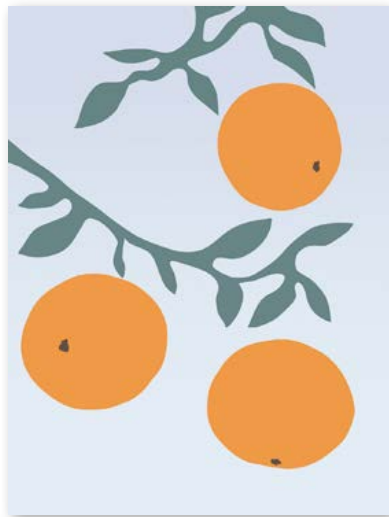
TR45698



TR46864



TR46865



TR46867



TR46868



TR46869



TR46870



TR43976



TR43977



TR43979



TR43981



TR43982



TR43984



TR46714



TR46715



TR46719



TR46720



TR46707



TR46708



TR46712



TR46713



TR46721



TR46722



TR46709



TR46710

Abstract



Artist: Andrea Pramuk

Photo Illustration of Framed Canvas w/ 2" Walnut Frame

We prefer placing abstract imagery mostly in public spaces like dining, living, and waiting rooms, generally not as much in corridors, where we prefer to curate very recognizable, realistic imagery.

Connect • Care • Flourish



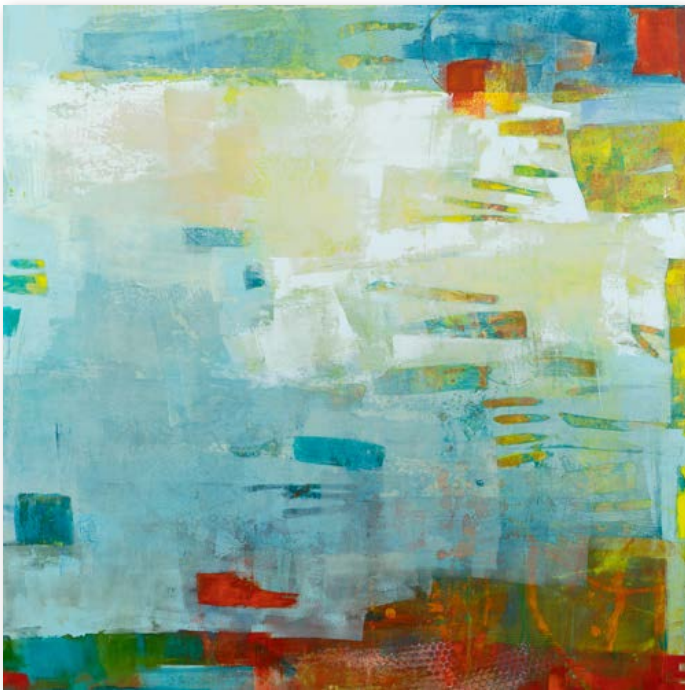
TR46550



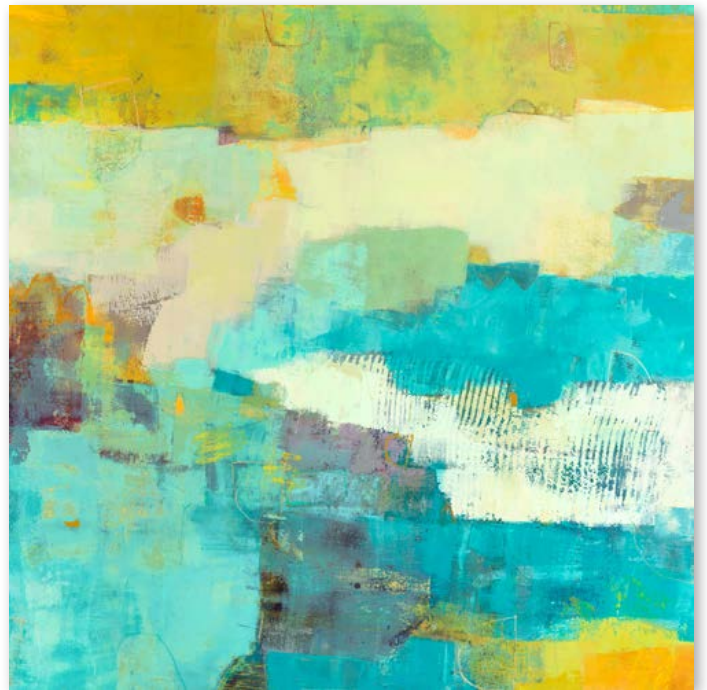
TR46553



TR46551



TR46555



TR46554



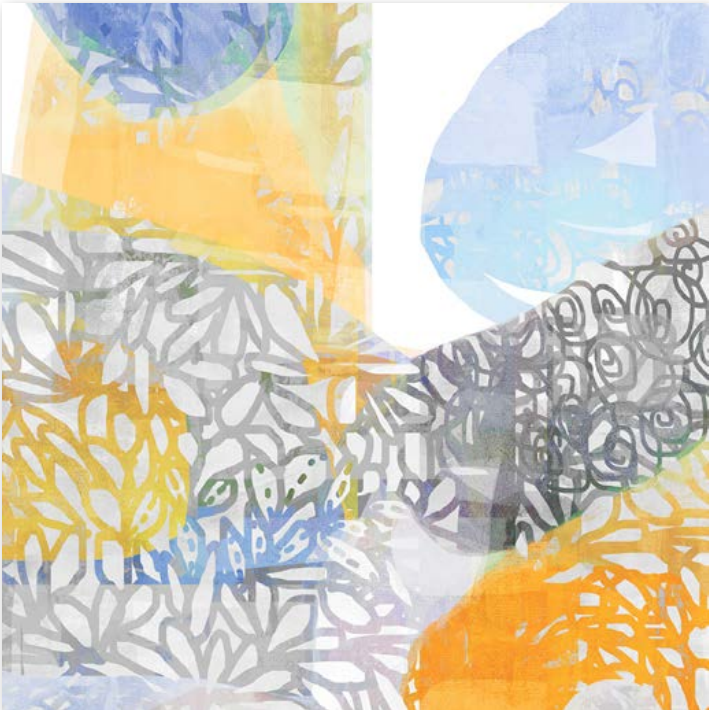
TR46761



TR46762



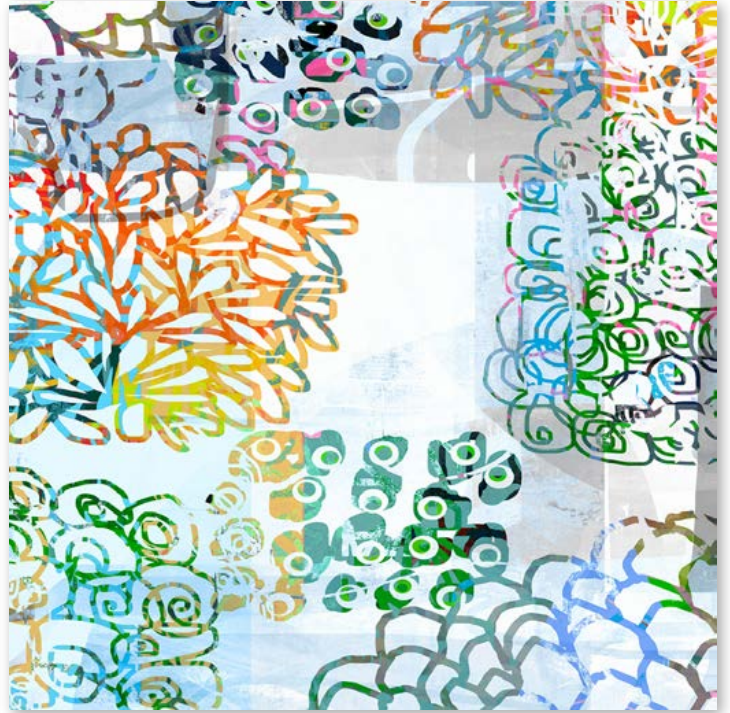
TR46837



TR46838



TR46856



TR46857



TR46858



TR46859



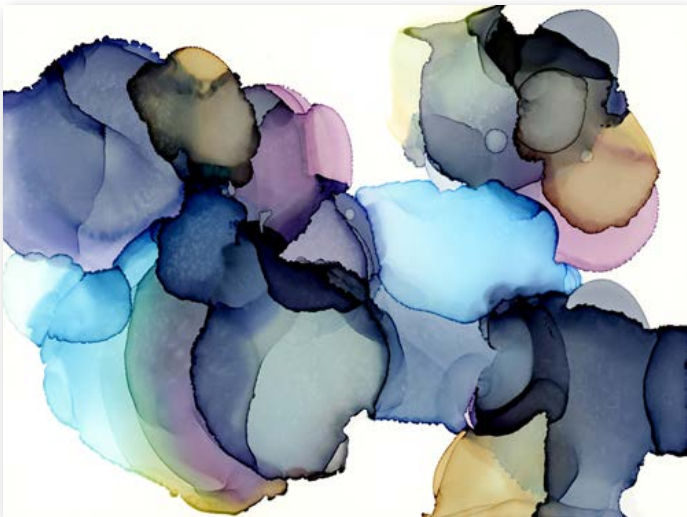
TR44290



TR44291



TR44298



TR44301



TR47173



TR47174



TR47169



TR47170



TR47185



TR47186



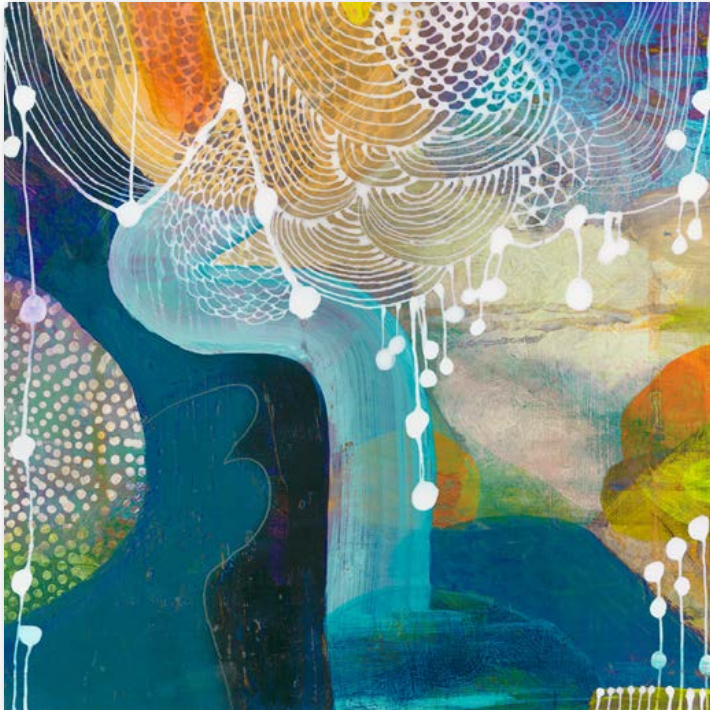
TR46022



TR46023



TR46024



TR46026



TR46009



TR46010



TR46018



TR46019



TR46016



TR46017

Zen Dimensionals / Panelscapes



Artist: Florence Delva

Photo Illustration of Zen Landscape Dimensionals printed on Canvas, Brushed Aluminum and Acrylic

Dimensional Artwork provides an ideal statement piece for focal walls, i.e. high traffic, important areas such as entrance, reception, and waiting spaces. These "wow" pieces feature calming images printed on a variety of substrates and arrive ready-to-hang with a hidden frame and security hardware.

Connect • Care • Flourish



TR45154-DIM



TR45167-DIM



TR45178-DIM

Zen Dimensionals



TR39231-DIM



TR39232-DIM



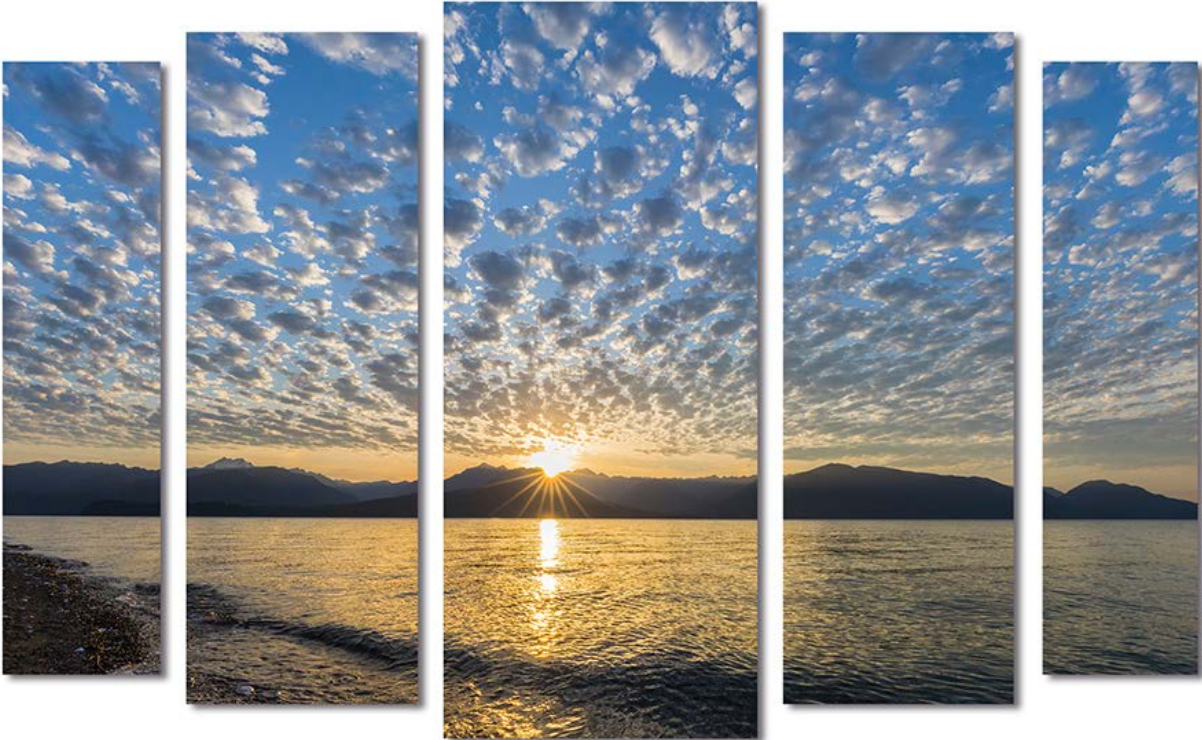
TR39223-DIM



TR39227-DIM



TR33957



TR40608



TR34811



TR34821

We Are Custom Framers!

Art Consulting • Art Design • Manufacturing • **Framing** • Installation



Float Frame Canvas in Silver/White

- Gallery Wrapped Canvas
- Edge Frame Canvas
- Float Frame Canvas
- Framed Canvas
- Framed Prints on Fine Art Paper
- Sampling of Moulding Options

Connect • Care • Flourish



Gallery Wrapped Canvas

An archival quality canvas with 1- 1/2" depth and mirrored borders, available with hardbacking for extra durability. Also available: 2" depth without hardbacking. Our scratch resistant inks are ideal for commercial use.

All artwork is hard-backed (except where indicated), so it's puncture resistant and comes ready-to-hang with 3-point or 4-point security hardware:



Puncture resistant canvas with hardboard backing.



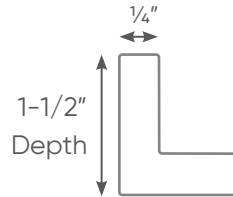
T-head screw

Edge Frame Canvas



Edge Frame Canvas

Frame measures 1/4" on the face and 1-1/2" in depth with artwork printed on archival quality canvas, hard-backed for extra durability. Our scratch-resistant inks are ideal for commercial use. These MDF frames are available in finishes shown below.

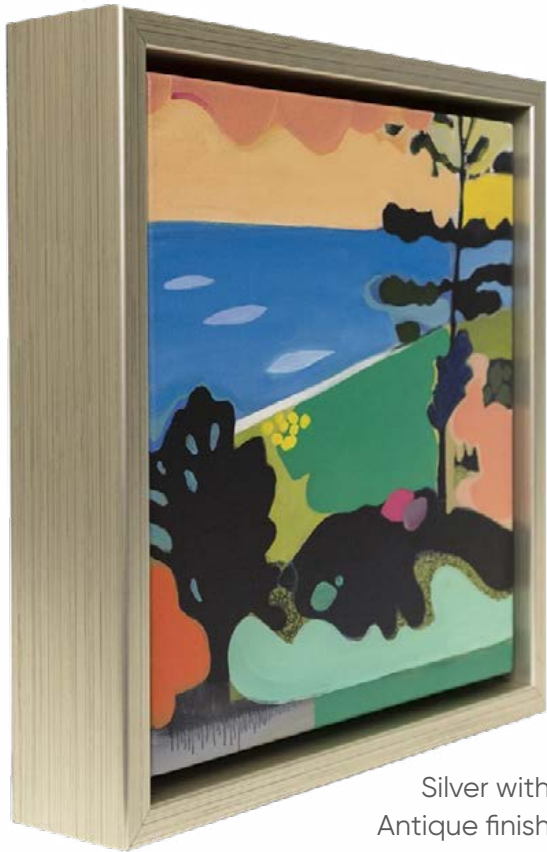


Left: Espresso with woodgrain finish E6
Right: Blonde with woodgrain finish E2



Edge Framed Canvas finish options:

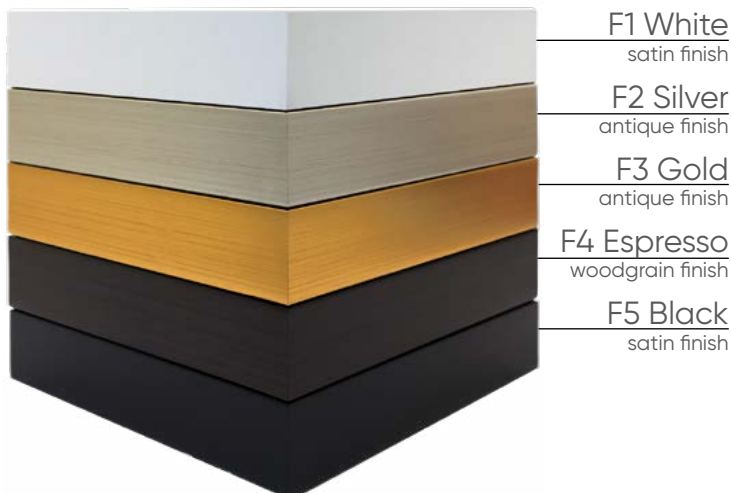
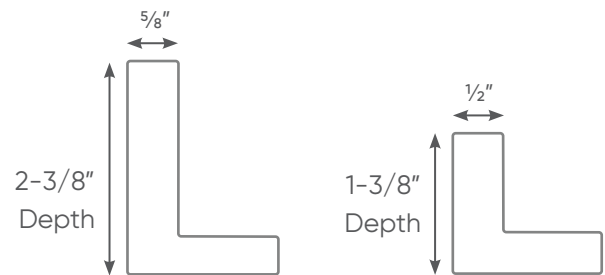
- E1 White
satin finish
- E2 Blonde
woodgrain finish
- E3 Silver
antique finish
- E4 Gold
antique finish
- E5 Cherry
woodgrain finish
- E6 Espresso
woodgrain finish
- E7 Black
satin finish



Silver with
Antique finish, F2

Float Frame Canvas

Featuring a 2-3/8" or 1-3/8" deep float frame with artwork printed on archival quality canvas, hard-backed for extra durability. Our scratch-resistant inks are ideal for healthcare, hospitality, or corporate placement. Now offering seven in-stock finishes.



F1 White
satin finish

F2 Silver
antique finish

F3 Gold
antique finish

F4 Espresso
woodgrain finish

F5 Black
satin finish



F6 Antique Silver w/Espresso
woodgrain finish

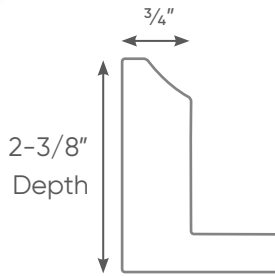


F7 Antique Gold w/Espresso
woodgrain finish

Float Frame Canvas with Scoop



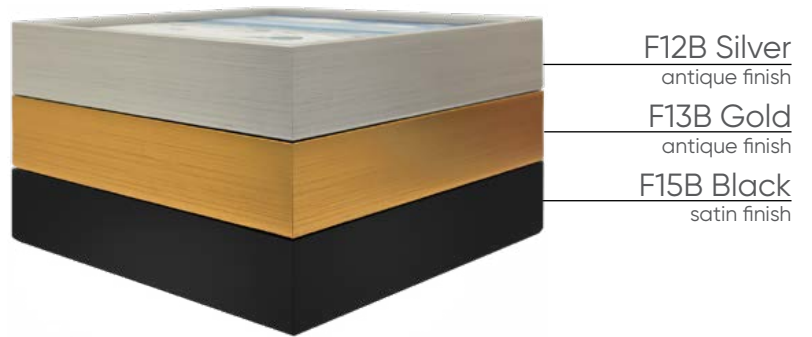
Silver face with White Satin finish, F16B



Float Frame Canvas with Scoop

This 2-3/8" deep Float Frame option adds depth and richness to any work of art. Artwork printed on archival quality canvas, hard-backed for extra durability. Our scratch-resistant inks are ideal for healthcare, hospitality, or corporate placement—8 available finishes.

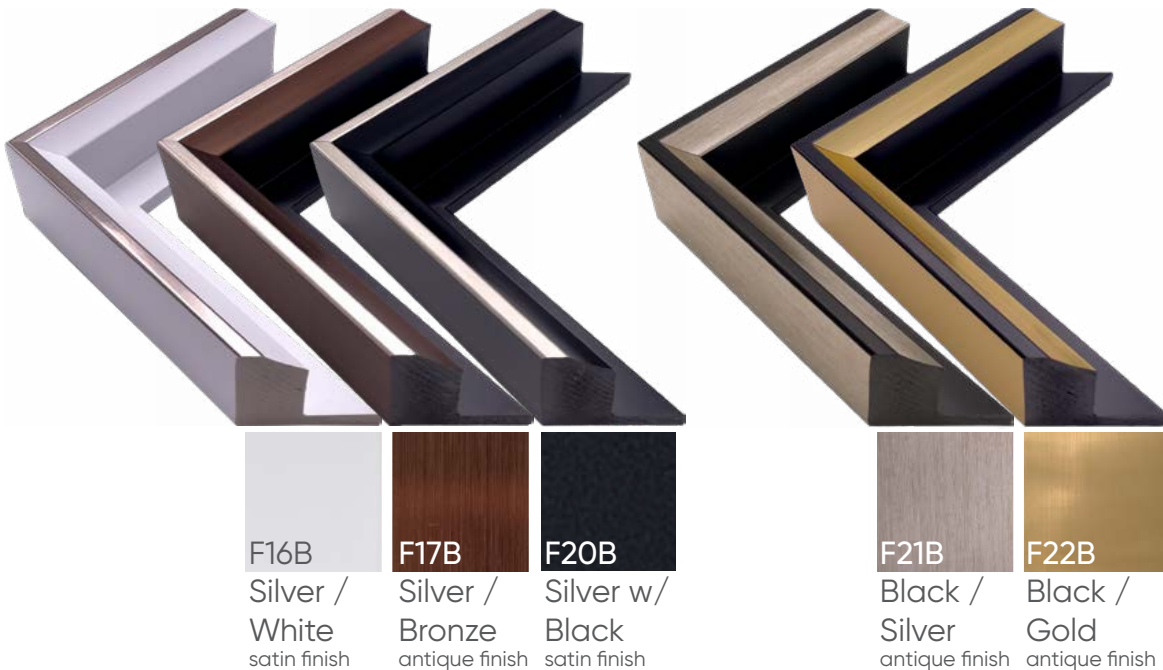
Solid Colors:



F12B Silver antique finish
F13B Gold antique finish
F15B Black satin finish

Two-tone Colors:

Face color is listed first, followed by the outer & scoop color.



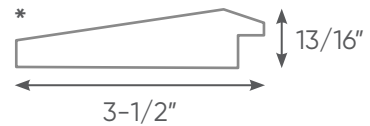
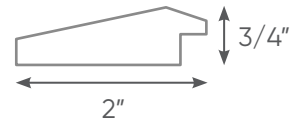


2" wide frame used on a 24"x36" piece.

Framed Canvas

A print on canvas with a 2" wide or 3-1/2" wide frame (*larger size only available in colors 26-07A Black and 26-06A Espresso), mounted to 1/8" hardboard backing, making the art puncture resistant. Our scratch-resistant inks are ideal for commercial use. Frame shown is 2" wide.

Ask your sales representative about additional frame options.



25-01A White
satin finish



25-02A Silver
antique finish



25-03A Gold
antique finish



25-04A Espresso & Silver
woodgrain finish



25-05A Espresso & Gold
woodgrain finish



25-06A Espresso*
woodgrain finish



25-07A Black*
satin finish

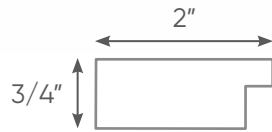


25-08A Black & Silver
antique finish



25-09A Black & Gold
antique finish

Framed Print on Fine Art Paper



Print on Paper, Matted and Framed Under Glazing

A print on fine art textured or smooth white paper, mounted with hard backing and placed under a variety of mat options. Framed under glass or acrylic, our museum-quality works on paper offer fine detail, vivid colors and deep blacks.

Ask your sales representative about additional frame and mat options.



Sample Mat:
Smooth White



20-01A White
satin finish



20-08A Grey
woodgrain finish



20-02A Lt. Stainless Steel
antique finish



20-09A Walnut
woodgrain finish



20-03A Warm Silver
antique finish



20-10A Bronze
woodgrain finish



20-04A Gold
antique finish



20-11A Dark Walnut
woodgrain finish



20-05A Beige
woodgrain finish



20-12A Espresso
woodgrain finish



20-06A Oak
woodgrain finish



20-13A Black
woodgrain finish



20-07A Stainless Steel
woodgrain finish



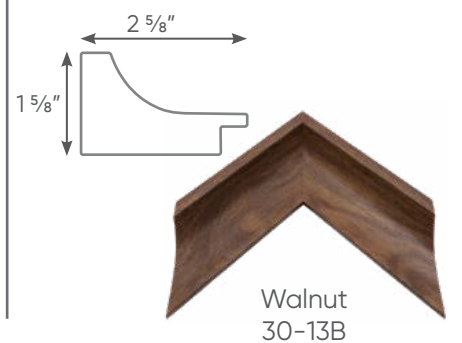
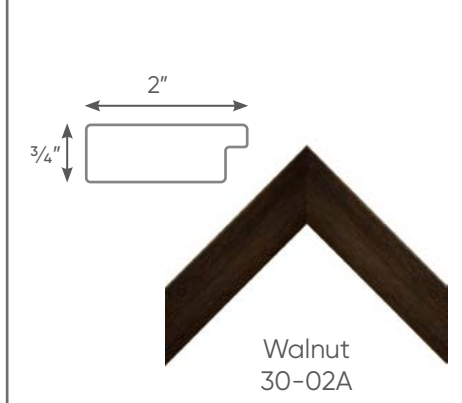
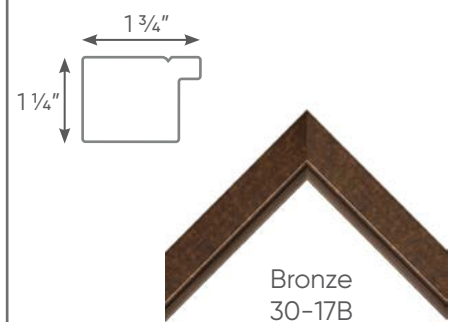
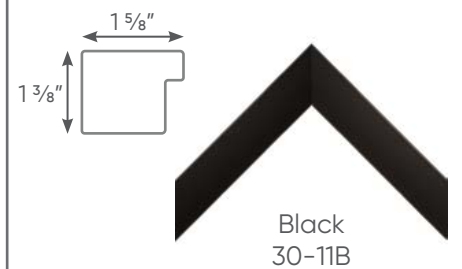
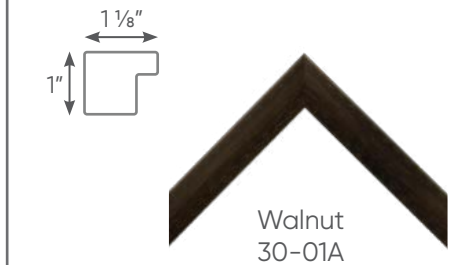
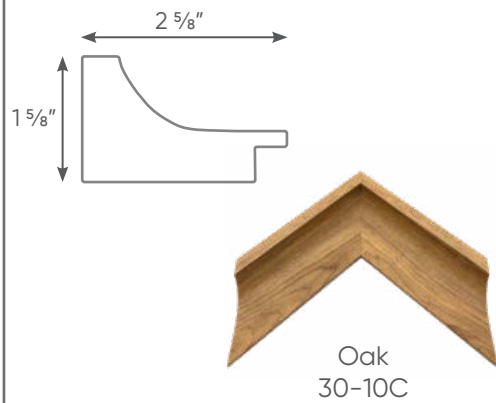
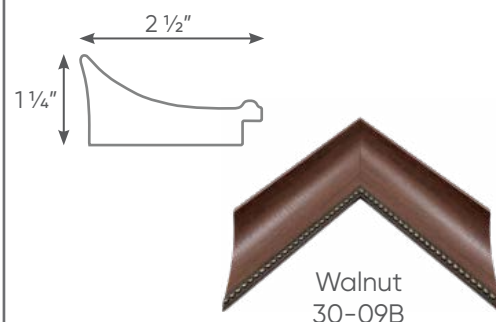
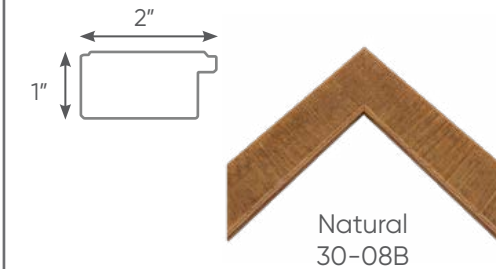
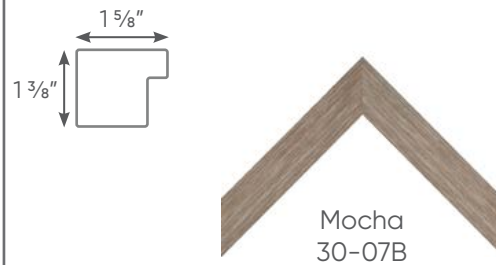
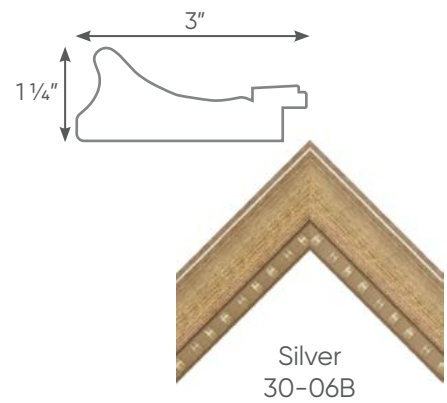
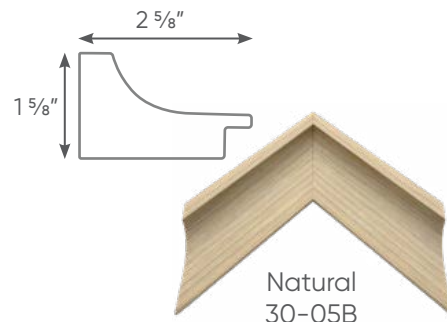
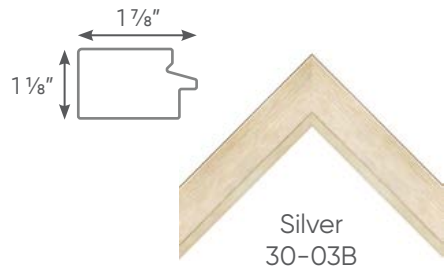
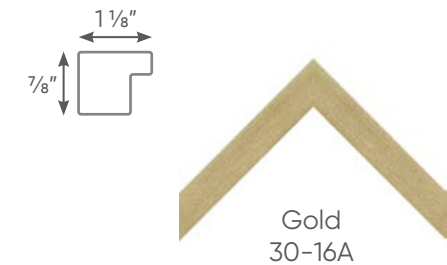
20-14A Black
satin finish

Traditional Mouldings

Light Tone

Medium Tone

Dark Tone



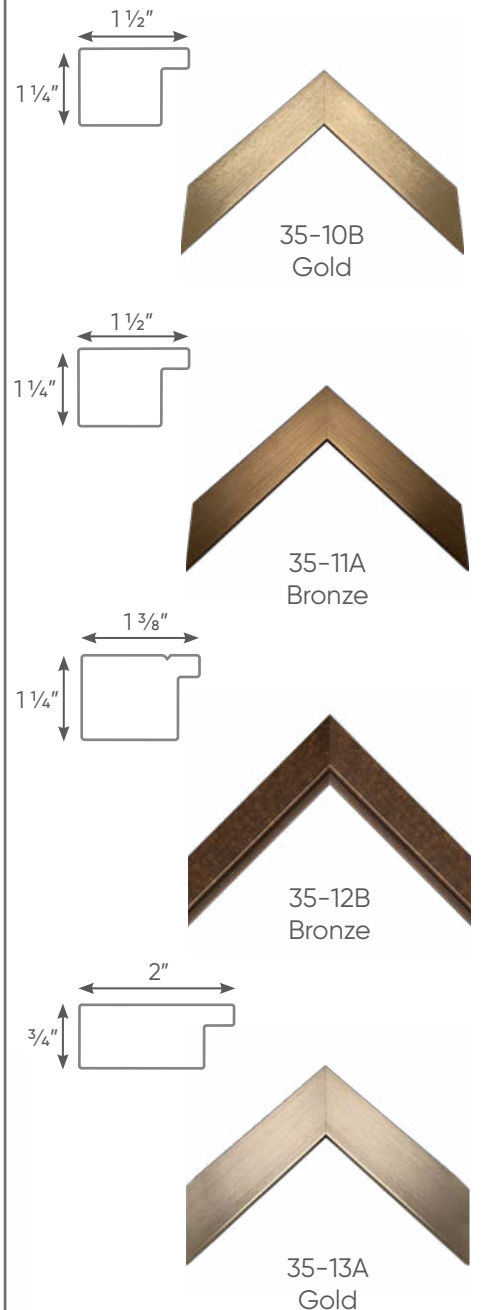
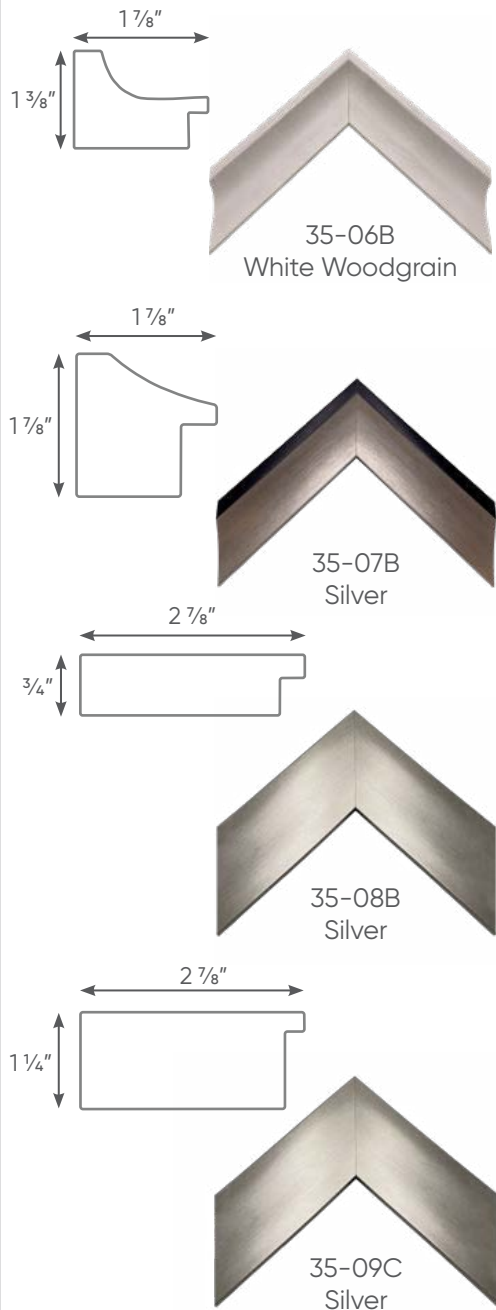
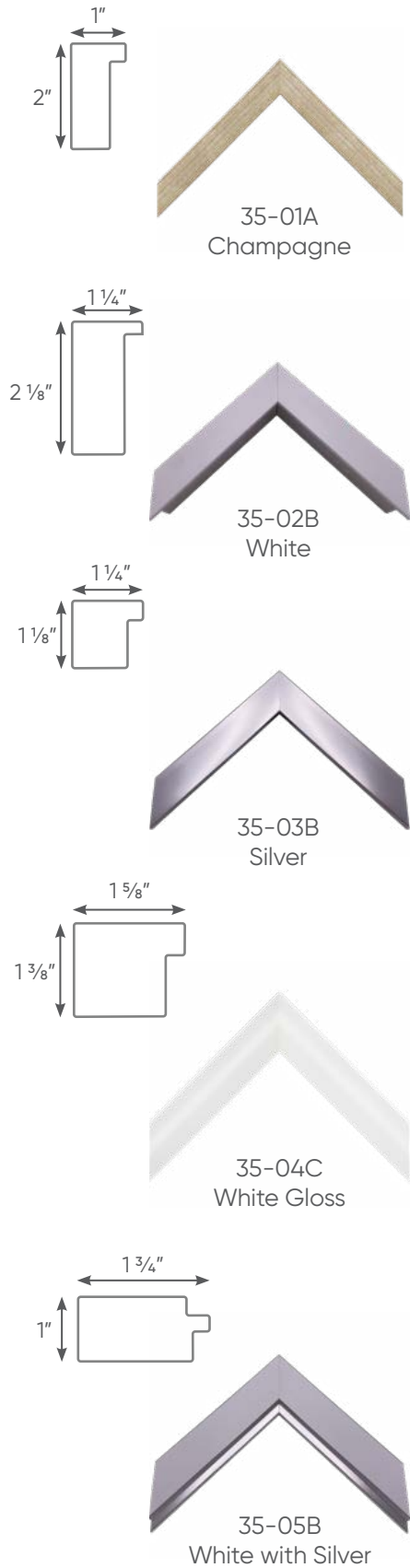
Additional framing options available upon request.

Contemporary Light & Medium Mouldings

Light Tone

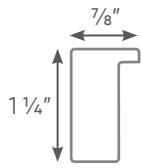
Light Tone

Medium Tone

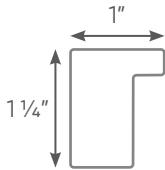


Additional framing options available upon request.

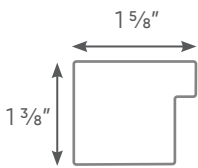
Dark Tone



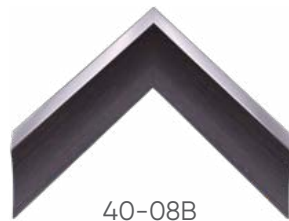
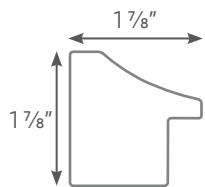
40-01A
Black



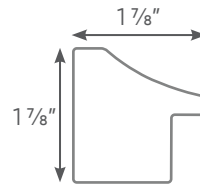
40-02A
Walnut



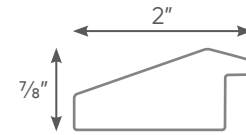
40-03B
Black with Brown



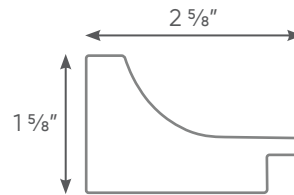
40-08B
Espresso with Silver



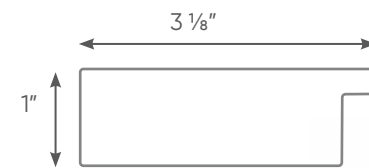
40-04B
Black with Silver



40-05A
Matte Black



40-06B
Black Woodgrain



40-07A
Dark Walnut

Additional framing options available upon request.

Senior Living

Artwork for Healthcare & Senior Living Environments



Artist: Judy Miller

STUDIO 
HEALTHCARE

STUDIO E/L | 800-228-0928
CustomerService@StudioEL.com
1250 45th Street, Suite #355
Emeryville, CA 94608
©2023 STUDIO EL, LLC